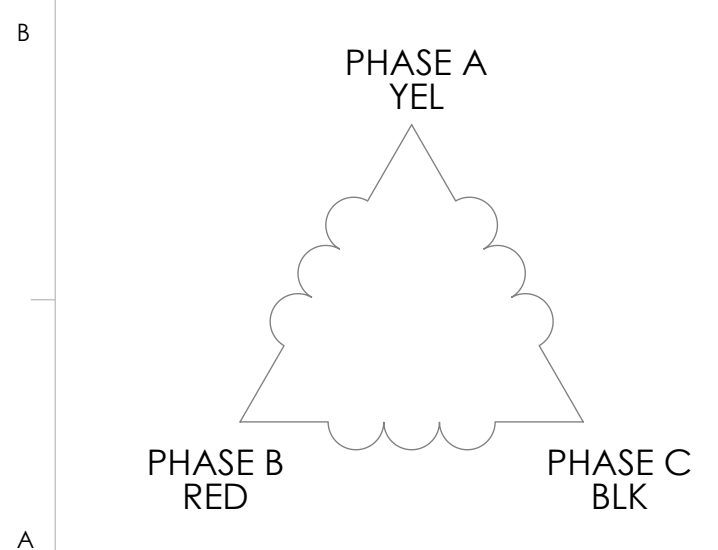
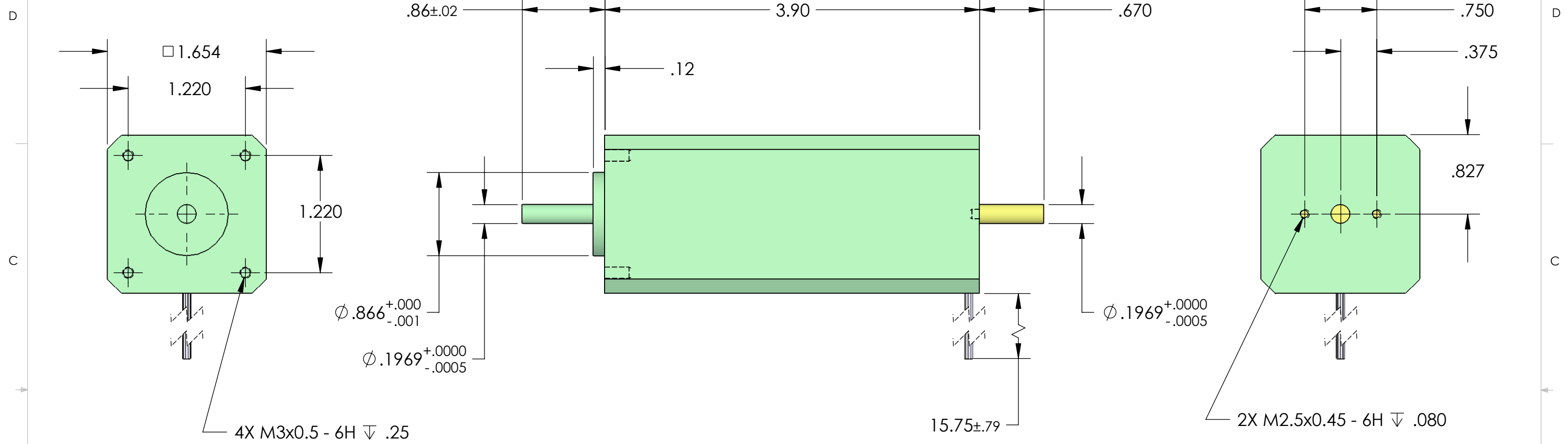


8 7 6 5 4 3 2 1



WIRE COLOR	DESCRIPTION
RED	HALL SUPPLY
BLUE	HALL A
GREEN	HALL B
WHITE	HALL C
BLACK	HALL GROUND
YELLOW	PHASE A
RED	PHASE B
BLACK	PHASE C

PROPRIETARY AND CONFIDENTIAL
 THE INFORMATION CONTAINED IN THIS DRAWING IS THE SOLE PROPERTY OF USAUTOMATION ANY REPRODUCTION IN PART OR AS A WHOLE WITHOUT THE WRITTEN PERMISSION OF USAUTOMATION IS PROHIBITED.

UNLESS OTHERWISE SPECIFIED:		NAME	DATE
DIMENSIONS ARE IN INCHES		DRAWN	
TOLERANCES:		CHECKED	
FRACTIONAL $\pm 1/32$		ENG APPR.	
ANGULAR: MACH $\pm .5^\circ$ BEND $\pm 1^\circ$		MFG APPR.	
TWO PLACE DECIMAL $\pm .03$		Q.A.	
THREE PLACE DECIMAL $\pm .005$		COMMENTS:	
INTERPRET GEOMETRIC TOLERANCING PER:			
MATERIAL			
FINISH			
NEXT ASSY	USED ON		
APPLICATION		DO NOT SCALE DRAWING	

USAutomation
 Solutions in Linear Motion
 23011 MOULTON PARKWAY, SUITE J2
 LAGUNA HILLS, CA 92653
 949-588-0581

TITLE: **USB174D-XXXX**

SIZE B	DWG. NO.	REV
---------------	----------	-----

SCALE: 1:1 WEIGHT: SHEET 1 OF 1

8 7 6 5 4 3 2 1