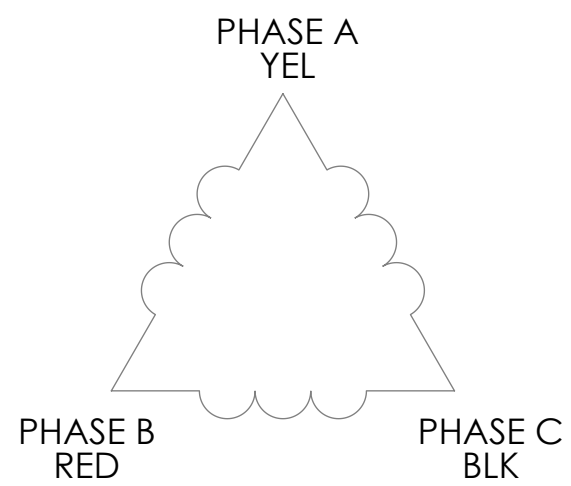
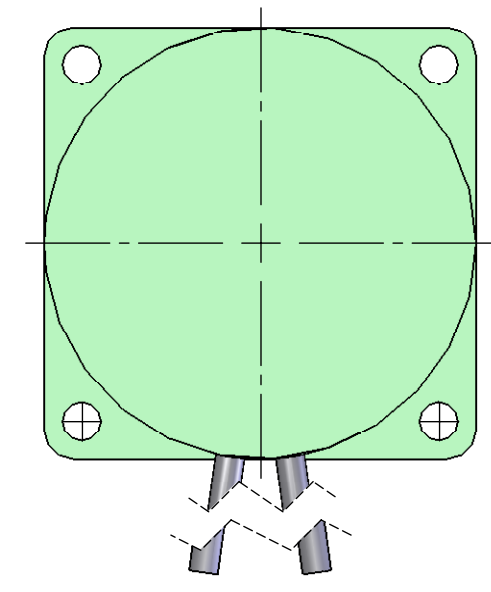
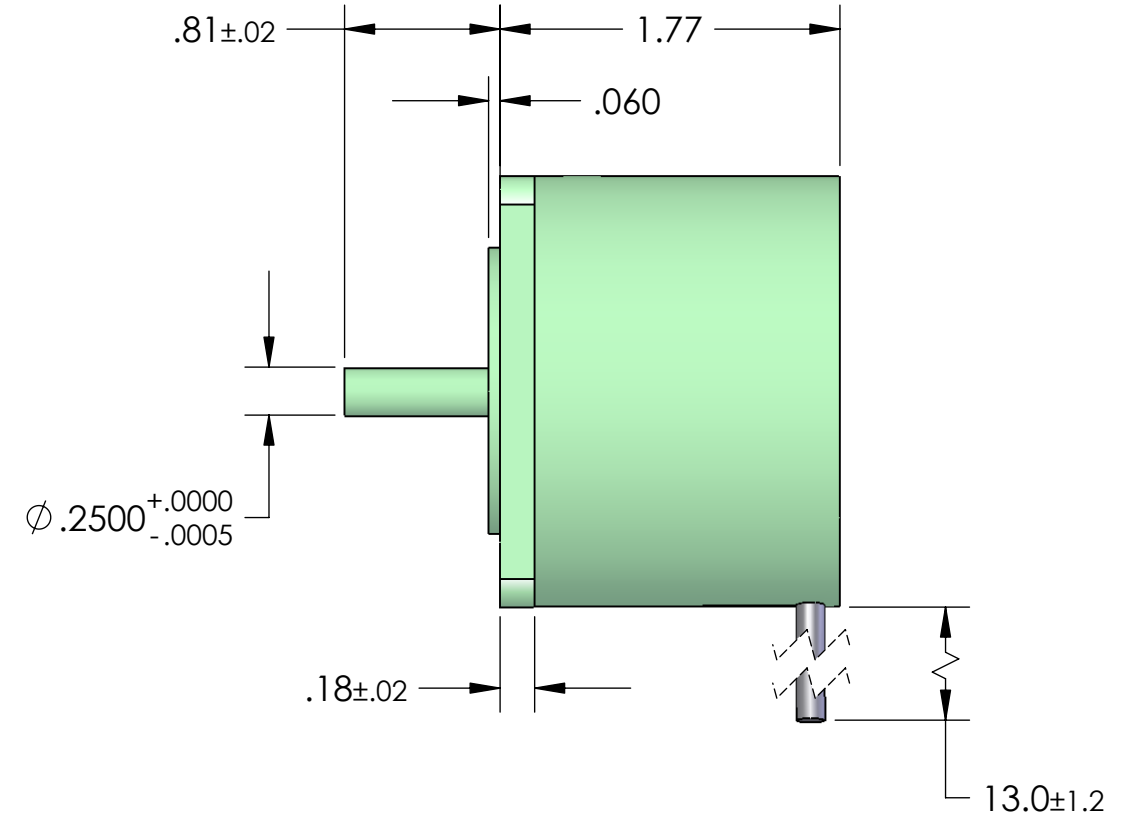
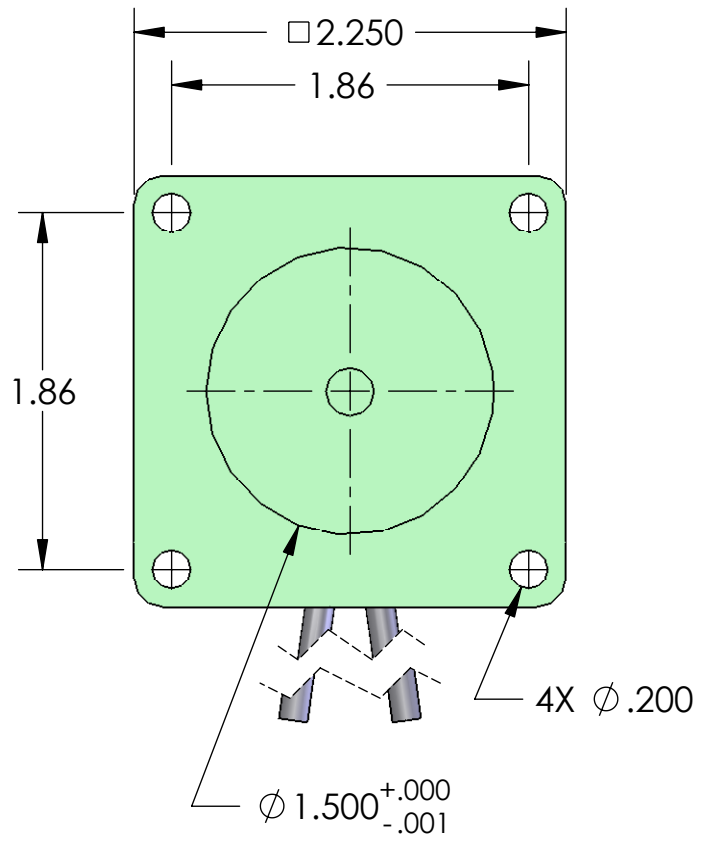


8 7 6 5 4 3 2 1

D
C
B
A



WIRE COLOR	DESCRIPTION
RED	HALL SUPPLY
BLUE	HALL A
GREEN	HALL B
WHITE	HALL C
BLACK	HALL GROUND
YELLOW	PHASE A
RED	PHASE B
BLACK	PHASE C

PROPRIETARY AND CONFIDENTIAL
THE INFORMATION CONTAINED IN THIS DRAWING IS THE SOLE PROPERTY OF USAUTOMATION ANY REPRODUCTION IN PART OR AS A WHOLE WITHOUT THE WRITTEN PERMISSION OF USAUTOMATION IS PROHIBITED.

		UNLESS OTHERWISE SPECIFIED:	NAME	DATE
		DIMENSIONS ARE IN INCHES	DRAWN	
		TOLERANCES:	CHECKED	
		FRACTIONAL ± 1/32	ENG APPR.	
		ANGULAR: MACH ± .5° BEND ± 1°	MFG APPR.	
		TWO PLACE DECIMAL ± .03	Q.A.	
		THREE PLACE DECIMAL ± .005	COMMENTS:	
		INTERPRET GEOMETRIC TOLERANCING PER:		
		MATERIAL		
NEXT ASSY	USED ON	FINISH		
APPLICATION		DO NOT SCALE DRAWING		

USAutomation
Solutions in Linear Motion
23011 MOULTON PARKWAY, SUITE J2
LAGUNA HILLS, CA 92653
949-588-0581

TITLE: **USB231S-XXXX**

SIZE B	DWG. NO.	REV
---------------	----------	-----

SCALE: 1:1 WEIGHT: SHEET 1 OF 1

8 7 6 5 4 3 2 1