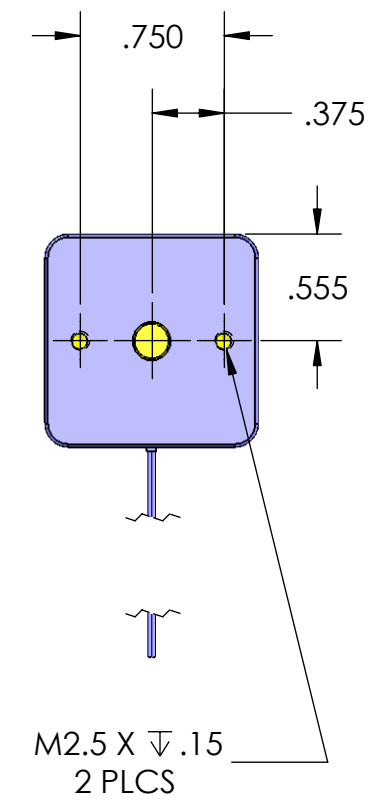
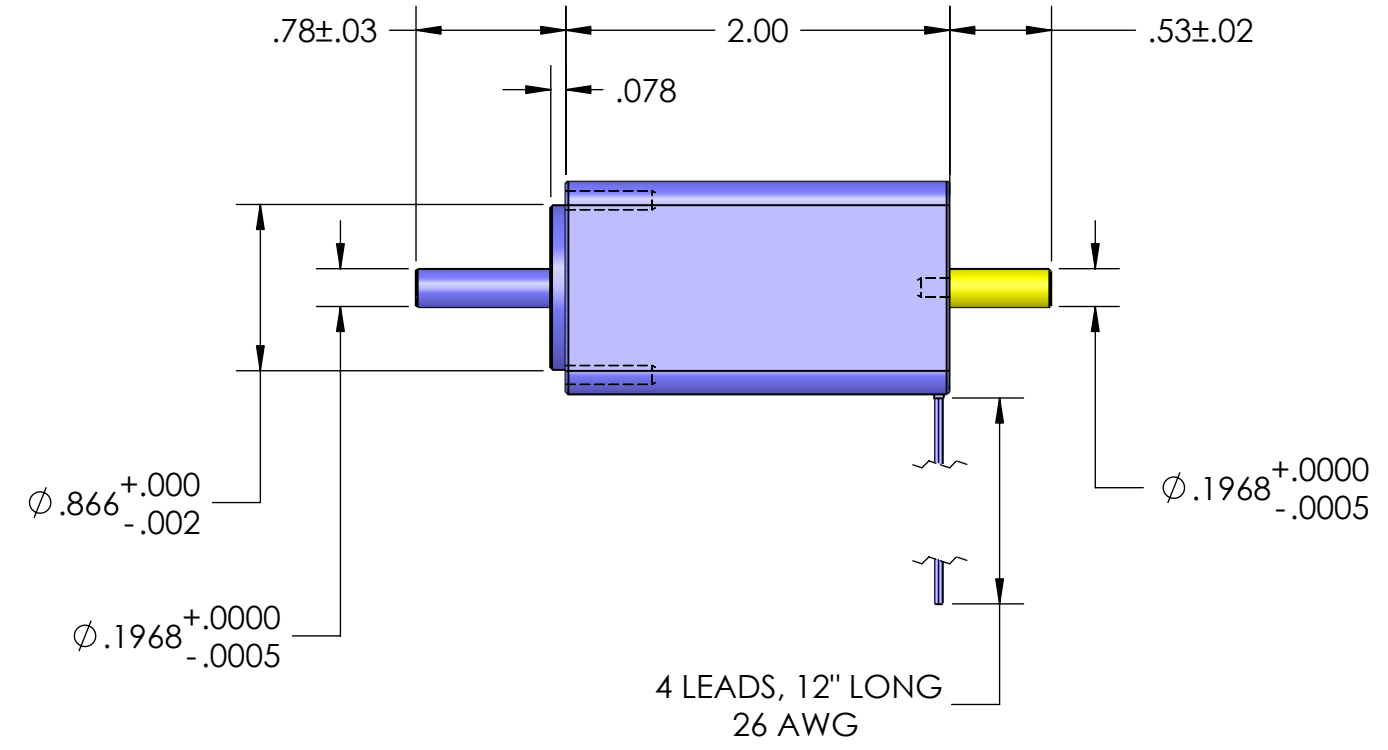
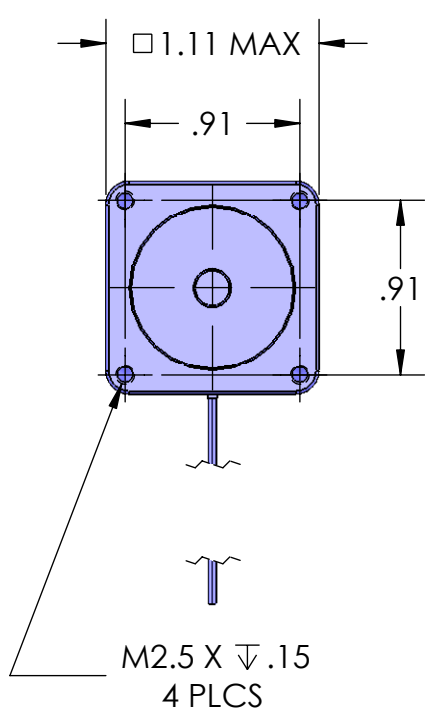


8 7 6 5 4 3 2 1

D
C
B
A

D
C
B
A



PROPRIETARY AND CONFIDENTIAL
THE INFORMATION CONTAINED IN THIS DRAWING IS THE SOLE PROPERTY OF USAUTOMATION ANY REPRODUCTION IN PART OR AS A WHOLE WITHOUT THE WRITTEN PERMISSION OF USAUTOMATION IS PROHIBITED.

		UNLESS OTHERWISE SPECIFIED:		NAME		DATE	
		DIMENSIONS ARE IN INCHES		DRAWN			
		TOLERANCES:		CHECKED			
		FRACTIONAL ± 1/32		ENG APPR.			
		ANGULAR: MACH ± .5° BEND ± 1°		MFG APPR.			
		TWO PLACE DECIMAL ± .03		Q.A.			
		THREE PLACE DECIMAL ± .005		COMMENTS:			
		INTERPRET GEOMETRIC TOLERANCING PER:				TITLE: USS11T23XX-4D	
		MATERIAL				SIZE DWG. NO. REV	
NEXT ASSY		USED ON				SCALE: 1:1 WEIGHT: SHEET 1 OF 1	
APPLICATION		DO NOT SCALE DRAWING					

8 7 6 5 4 3 2 1