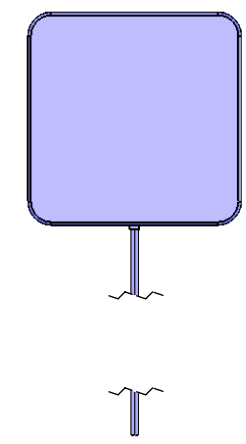
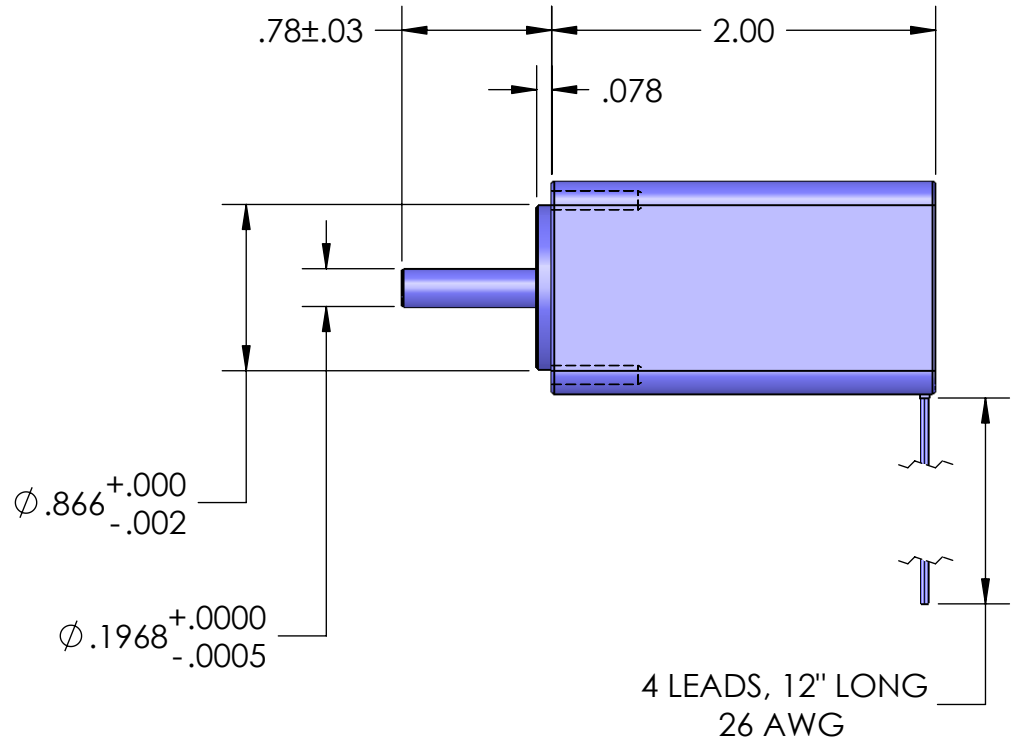
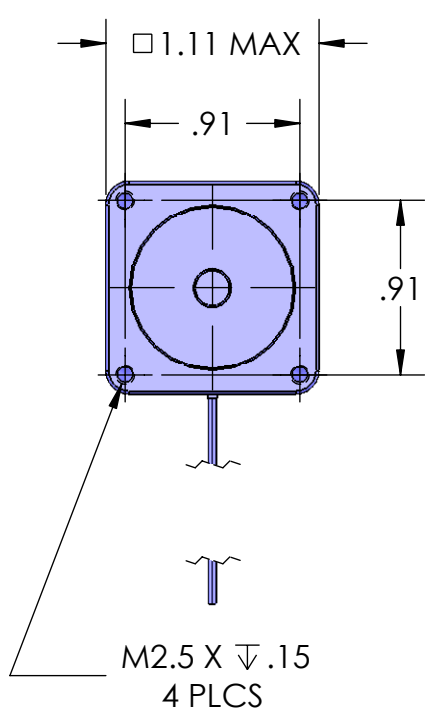


8 7 6 5 4 3 2 1

D
C
B
A

D
C
B
A



PROPRIETARY AND CONFIDENTIAL
THE INFORMATION CONTAINED IN THIS DRAWING IS THE SOLE PROPERTY OF USAUTOMATION ANY REPRODUCTION IN PART OR AS A WHOLE WITHOUT THE WRITTEN PERMISSION OF USAUTOMATION IS PROHIBITED.

		UNLESS OTHERWISE SPECIFIED:				NAME		DATE	
		DIMENSIONS ARE IN INCHES		DRAWN					
		TOLERANCES:		CHECKED					
		FRACTIONAL ± 1/32		ENG APPR.					
		ANGULAR: MACH ± .5° BEND ± 1°		MFG APPR.					
		TWO PLACE DECIMAL ± .03		Q.A.					
		THREE PLACE DECIMAL ± .005		COMMENTS:					
		INTERPRET GEOMETRIC TOLERANCING PER:							
		MATERIAL							
		FINISH							
NEXT ASSY	USED ON								
APPLICATION		DO NOT SCALE DRAWING							

USAutomation
Solutions in Linear Motion

23011 MOULTON PARKWAY, SUITE J2
LAGUNA HILLS, CA 92653
949-588-0581

TITLE: **USS11T23XX-4S**

SIZE B	DWG. NO.	REV
---------------	----------	-----

SCALE: 1:1 WEIGHT: SHEET 1 OF 1

8 7 6 5 4 3 2 1