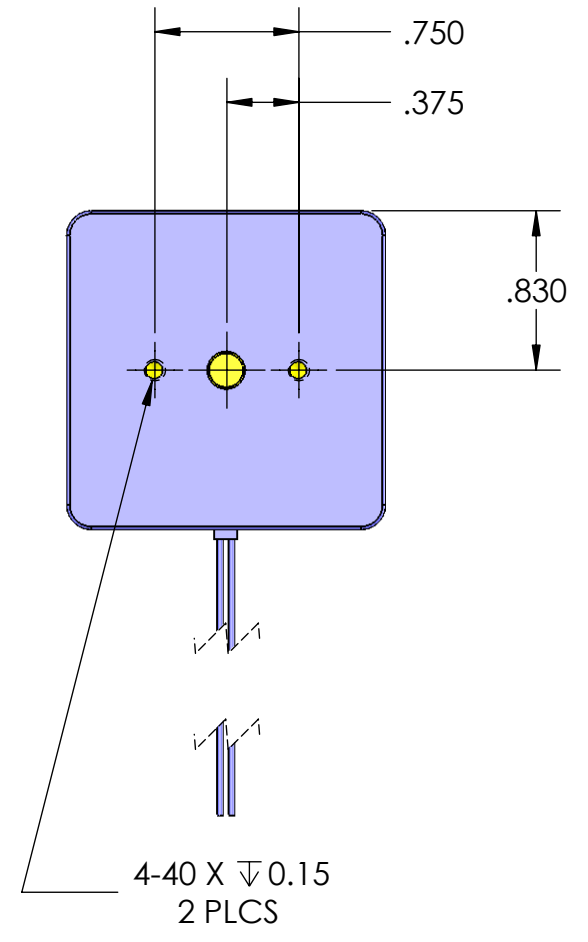
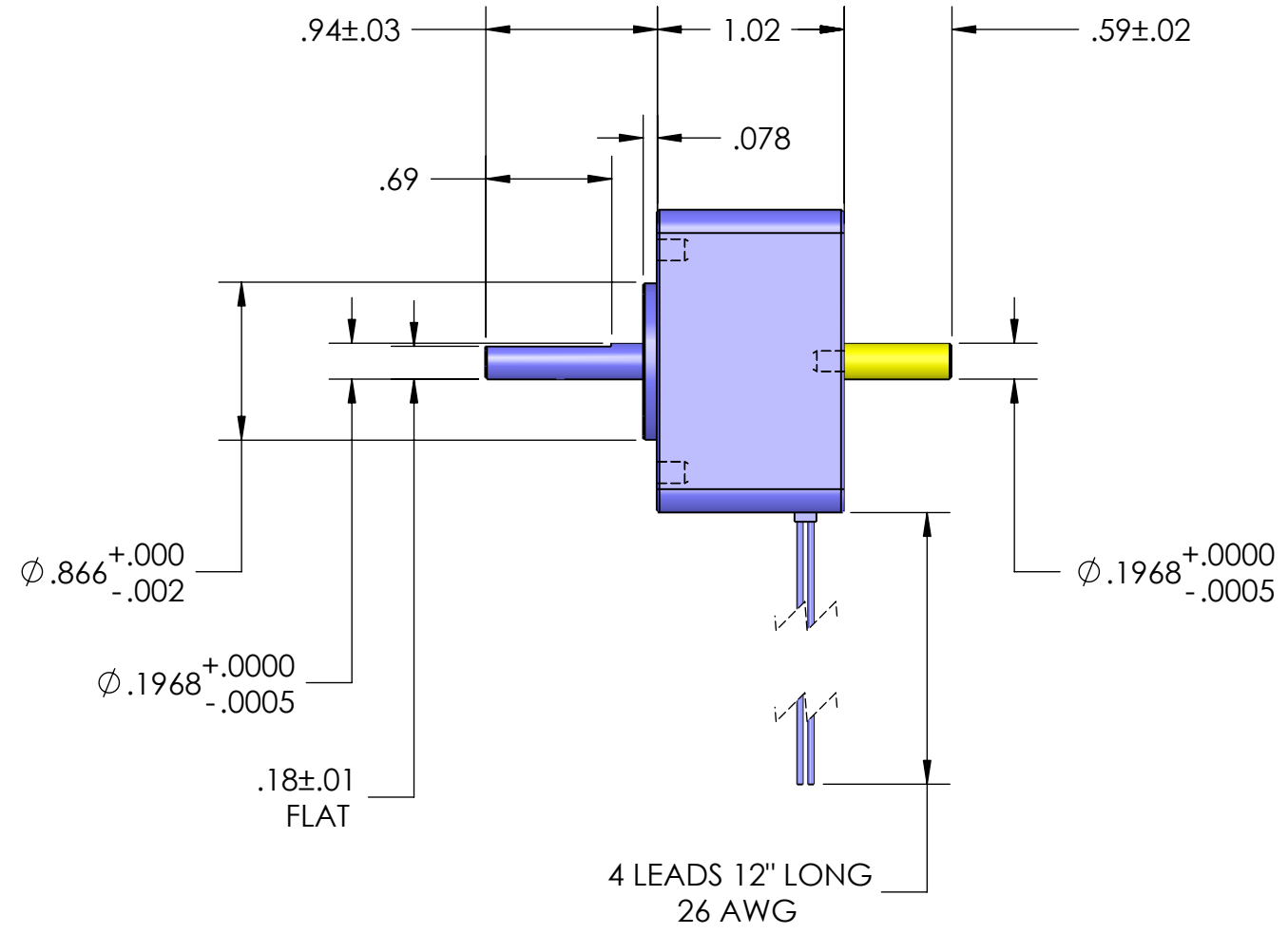
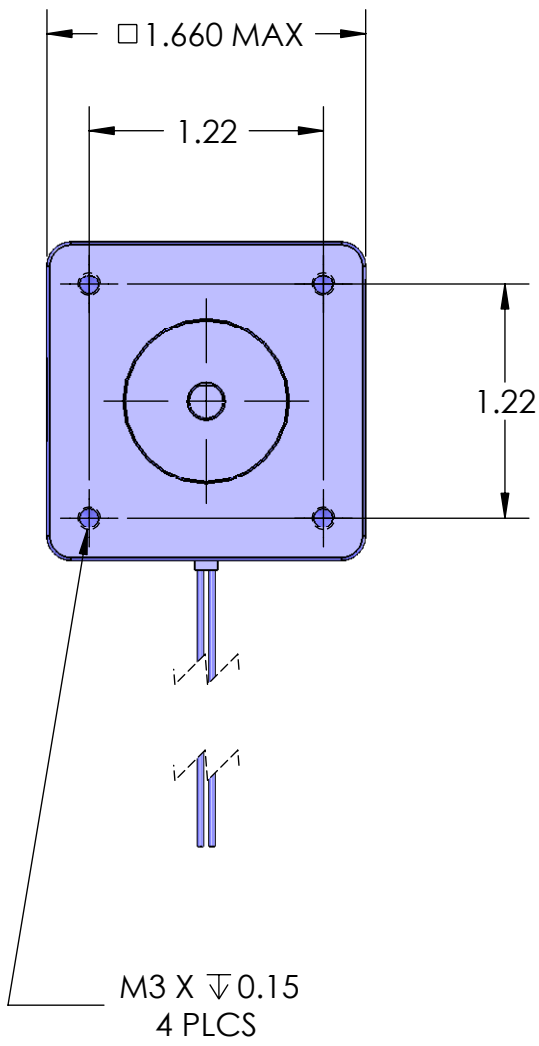


8 7 6 5 4 3 2 1


D  
C  
B  
A

D  
C  
B  
A



**PROPRIETARY AND CONFIDENTIAL**  
THE INFORMATION CONTAINED IN THIS DRAWING IS THE SOLE PROPERTY OF USAUTOMATION ANY REPRODUCTION IN PART OR AS A WHOLE WITHOUT THE WRITTEN PERMISSION OF USAUTOMATION IS PROHIBITED.

|             |         |   |  |           |      |
|-------------|---------|---|--|-----------|------|
|             |         | UNLESS OTHERWISE SPECIFIED:                     |  | NAME      | DATE |
|             |         | DIMENSIONS ARE IN INCHES                        |  | DRAWN     |      |
|             |         | TOLERANCES:                                     |  | CHECKED   |      |
|             |         | FRACTIONAL $\pm 1/32$                           |  | ENG APPR. |      |
|             |         | ANGULAR: MACH $\pm .5^\circ$ BEND $\pm 1^\circ$ |  | MFG APPR. |      |
|             |         | TWO PLACE DECIMAL $\pm .03$                     |  | Q.A.      |      |
|             |         | THREE PLACE DECIMAL $\pm .005$                  |  | COMMENTS: |      |
|             |         | INTERPRET GEOMETRIC TOLERANCING PER:            |  |           |      |
|             |         | MATERIAL  |  |           |      |
| NEXT ASSY   | USED ON | FINISH  |  |           |      |
| APPLICATION |         | DO NOT SCALE DRAWING                            |  |           |      |



23011 MOULTON PARKWAY, SUITE J2  
LAGUNA HILLS, CA 92653  
949-588-0581

**TITLE:** USS17T20XX-4D

|                  |          |     |
|------------------|----------|-----|
| SIZE<br><b>B</b> | DWG. NO. | REV |
|------------------|----------|-----|

SCALE: 1:1    WEIGHT:    SHEET 1 OF 1

8 7 6 5 4 3 2 1