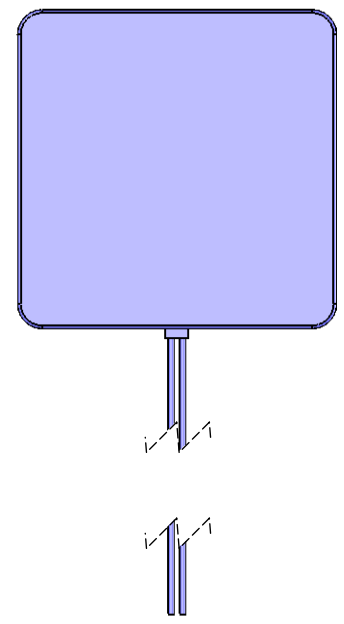
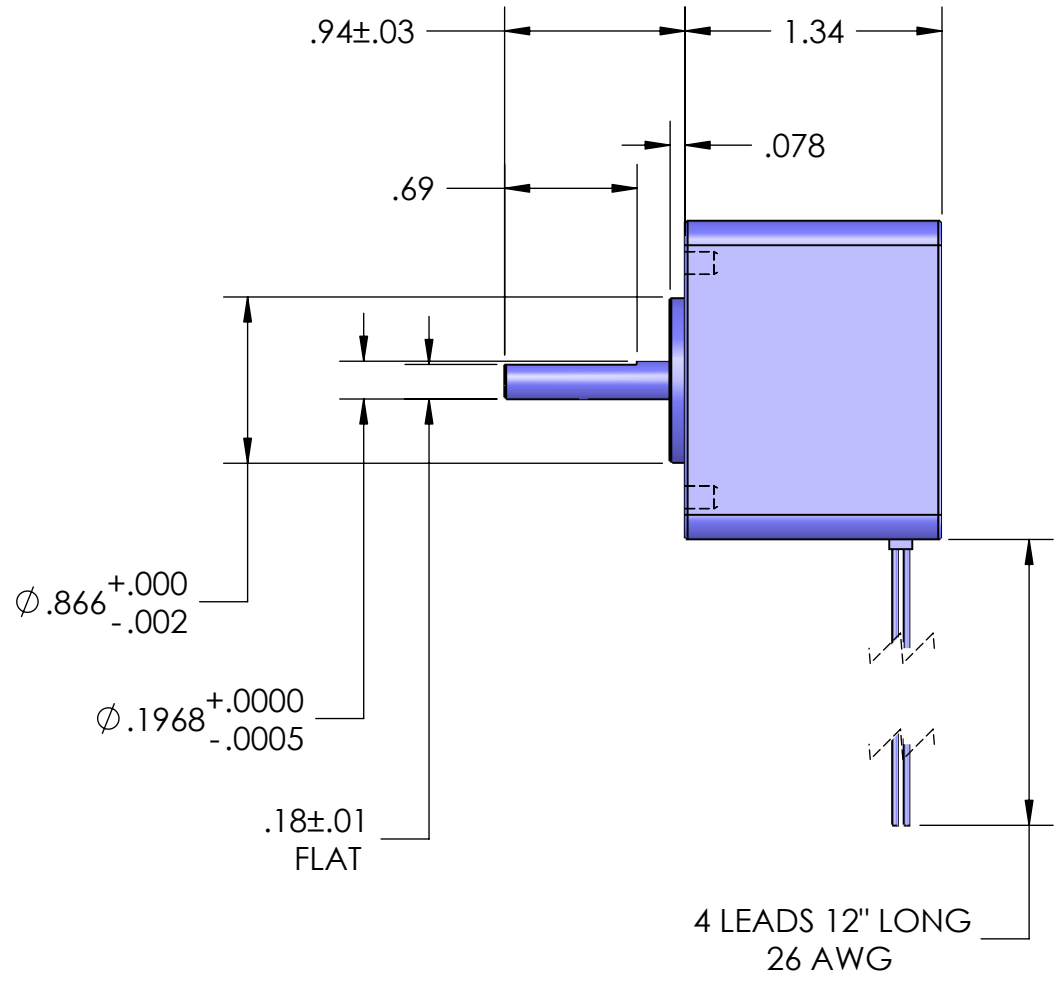
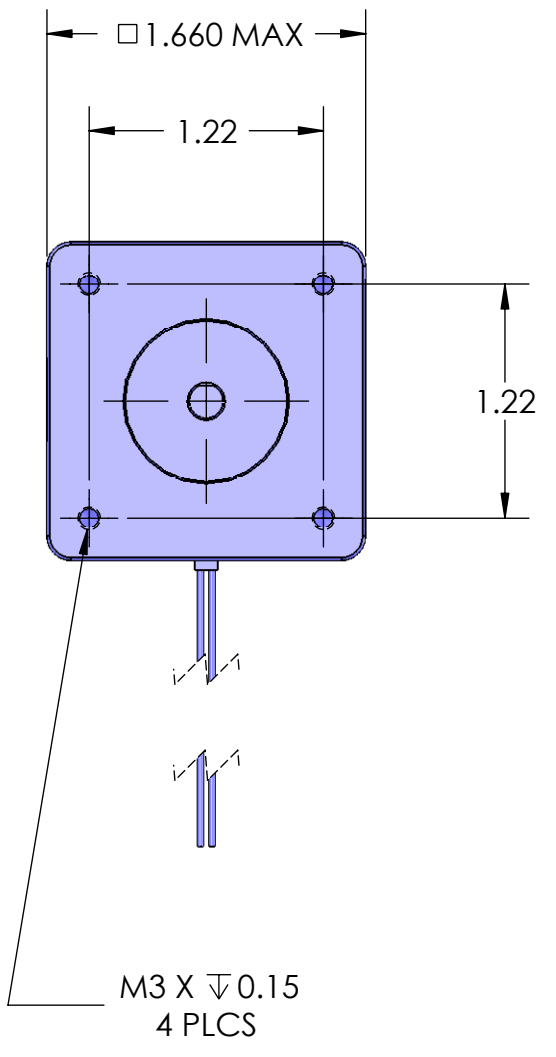


8 7 6 5 4 3 2 1

D  
C  
B  
A

D  
C  
B  
A



**PROPRIETARY AND CONFIDENTIAL**  
THE INFORMATION CONTAINED IN THIS DRAWING IS THE SOLE PROPERTY OF USAUTOMATION ANY REPRODUCTION IN PART OR AS A WHOLE WITHOUT THE WRITTEN PERMISSION OF USAUTOMATION IS PROHIBITED.

		UNLESS OTHERWISE SPECIFIED:				NAME		DATE	
		DIMENSIONS ARE IN INCHES		DRAWN					
		TOLERANCES:		CHECKED					
		FRACTIONAL ± 1/32		ENG APPR.					
		ANGULAR: MACH ± .5° BEND ± 1°		MFG APPR.					
		TWO PLACE DECIMAL ± .03		Q.A.					
		THREE PLACE DECIMAL ± .005		COMMENTS:					
		INTERPRET GEOMETRIC TOLERANCING PER:							
		MATERIAL							
		FINISH							
NEXT ASSY	USED ON								
APPLICATION		DO NOT SCALE DRAWING							
				 23011 MOULTON PARKWAY, SUITE J2 LAGUNA HILLS, CA 92653 949-588-0581		TITLE: <b>USS17T21XX-4S</b>			
SIZE <b>B</b>		DWG. NO.				REV			
SCALE: 1:1		WEIGHT:		SHEET 1 OF 1					

8 7 6 5 4 3 2 1