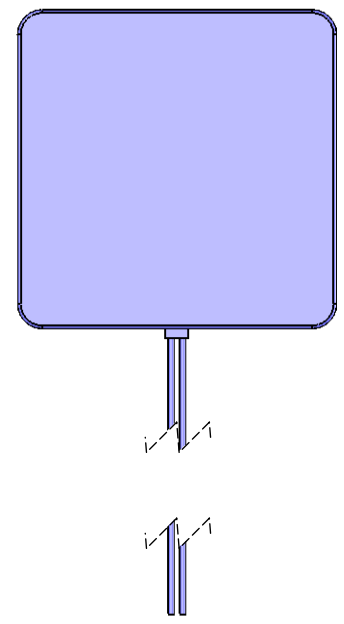
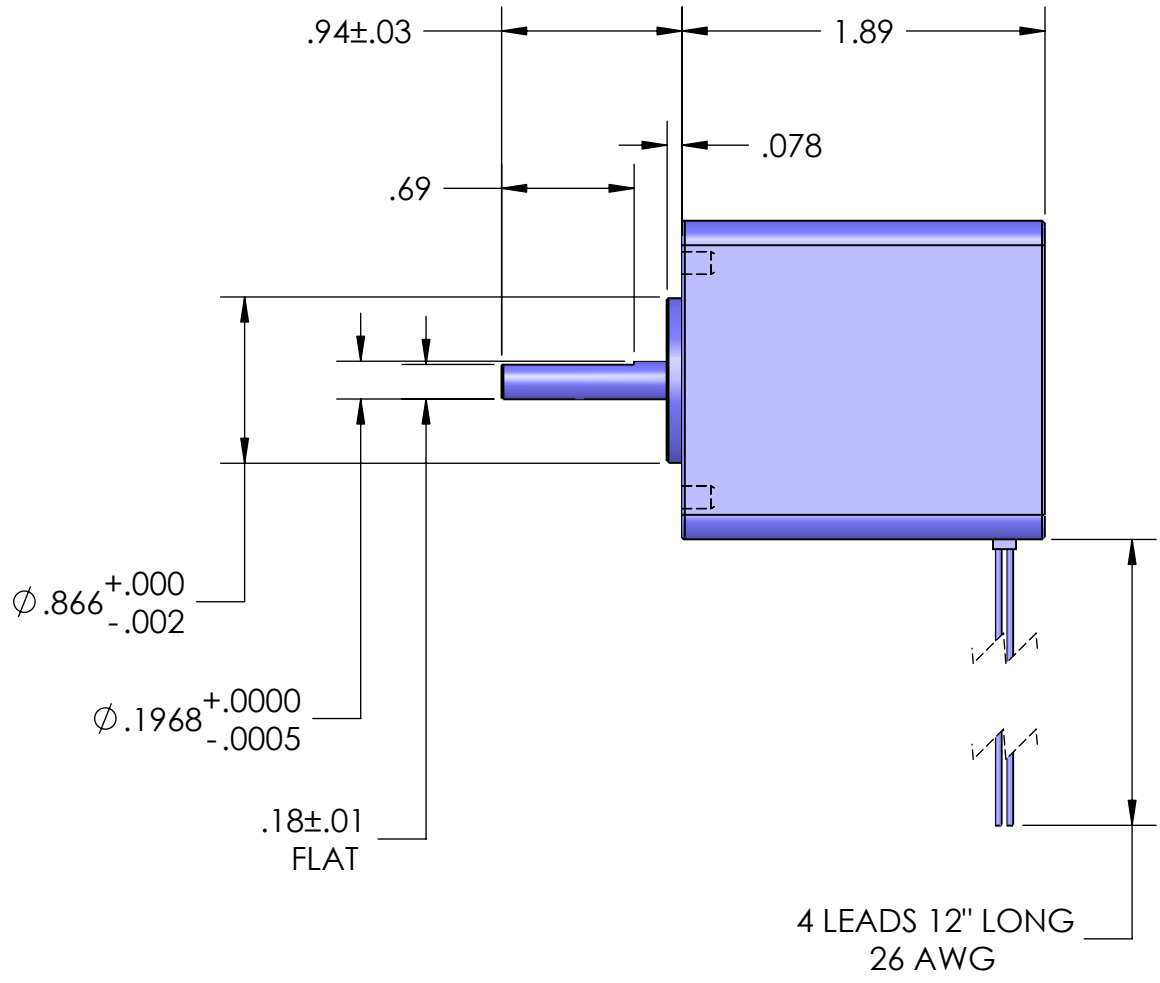
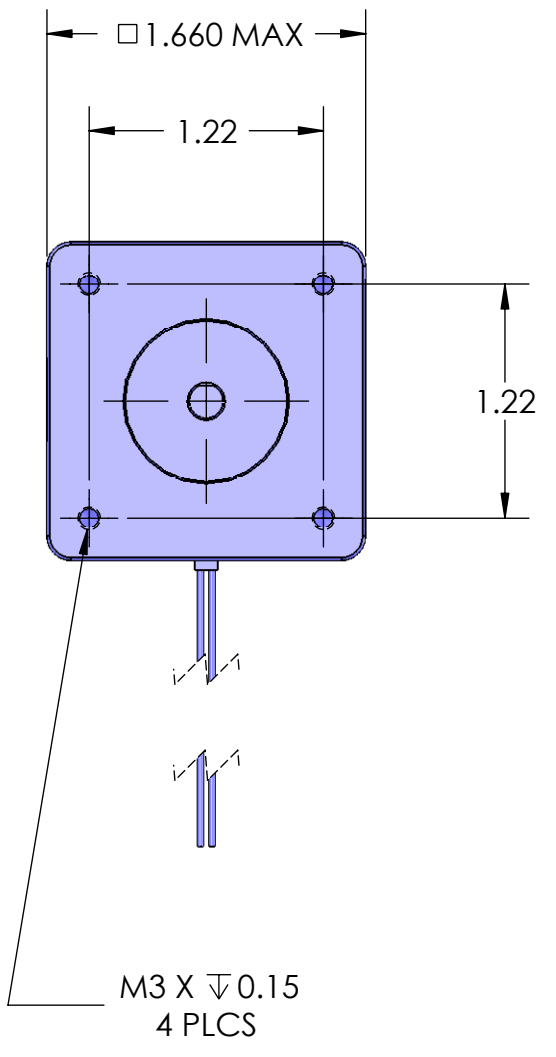


8 7 6 5 4 3 2 1

D
C
B
A

D
C
B
A



PROPRIETARY AND CONFIDENTIAL
THE INFORMATION CONTAINED IN THIS DRAWING IS THE SOLE PROPERTY OF USAUTOMATION ANY REPRODUCTION IN PART OR AS A WHOLE WITHOUT THE WRITTEN PERMISSION OF USAUTOMATION IS PROHIBITED.

		UNLESS OTHERWISE SPECIFIED:		NAME		DATE	
		DIMENSIONS ARE IN INCHES		DRAWN			
		TOLERANCES:		CHECKED			
		FRACTIONAL $\pm 1/32$		ENG APPR.			
		ANGULAR: MACH $\pm .5^\circ$ BEND $\pm 1^\circ$		MFG APPR.			
		TWO PLACE DECIMAL $\pm .03$		Q.A.			
		THREE PLACE DECIMAL $\pm .005$		COMMENTS:			
		INTERPRET GEOMETRIC TOLERANCING PER:				TITLE: USS17T23XX-4S	
		MATERIAL				SIZE B DWG. NO. REV	
NEXT ASSY		USED ON					
APPLICATION		DO NOT SCALE DRAWING				SCALE: 1:1 WEIGHT: SHEET 1 OF 1	



23011 MOULTON PARKWAY, SUITE J2
LAGUNA HILLS, CA 92653
949-588-0581