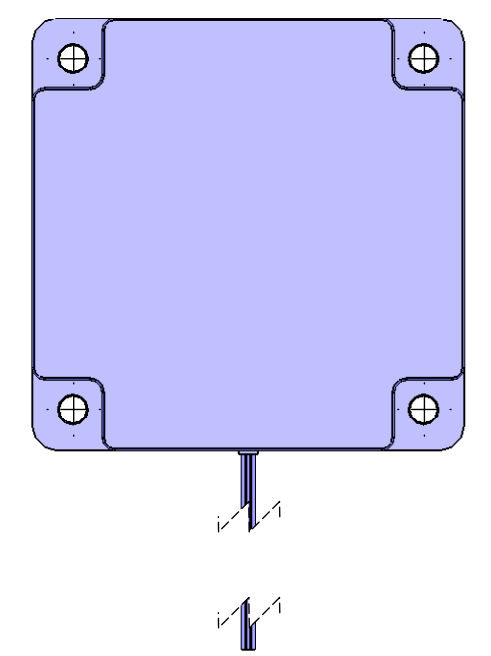
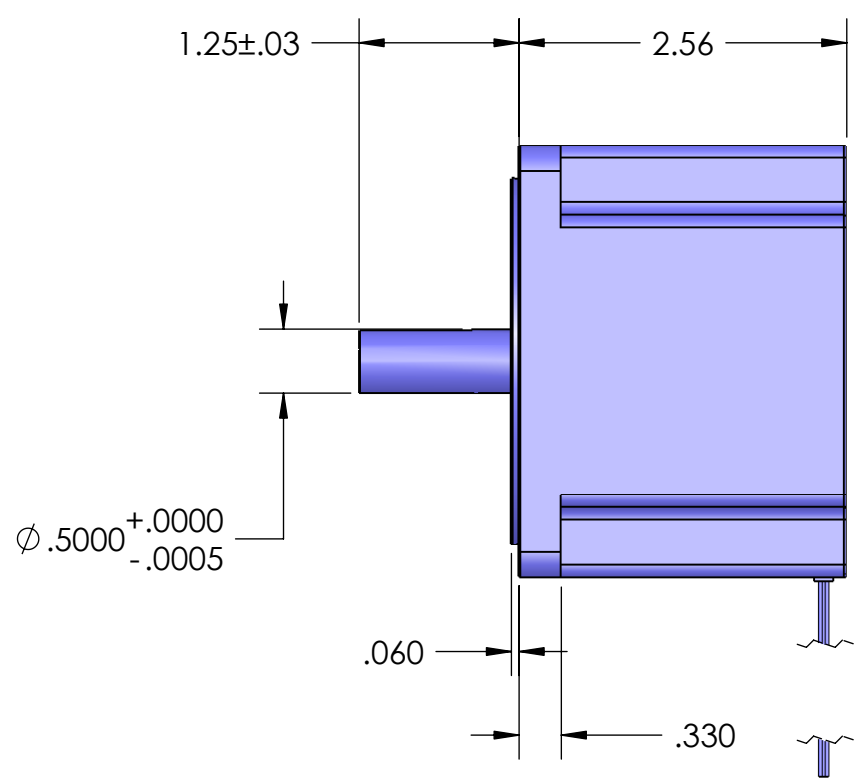
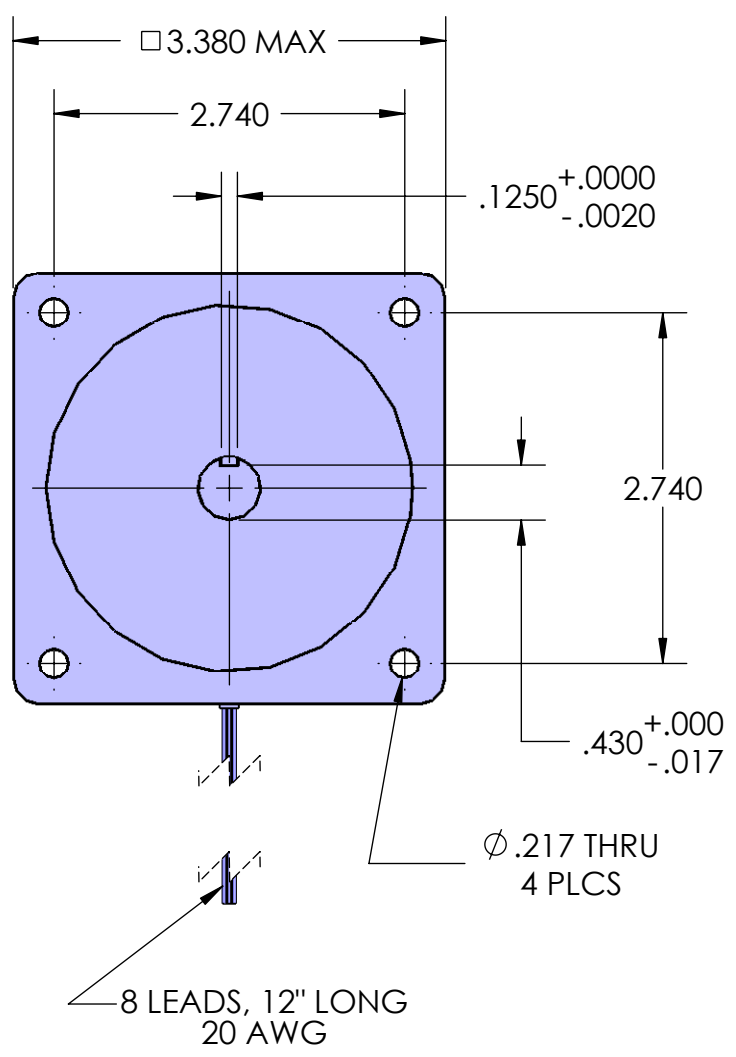


8 7 6 5 4 3 2 1

D
C
B
A



PROPRIETARY AND CONFIDENTIAL
THE INFORMATION CONTAINED IN THIS DRAWING IS THE SOLE PROPERTY OF USAUTOMATION ANY REPRODUCTION IN PART OR AS A WHOLE WITHOUT THE WRITTEN PERMISSION OF USAUTOMATION IS PROHIBITED.

| | | | | | | | |
|---------------|---------|--------------------------------------|--|---|--|--------------|--|
| | | UNLESS OTHERWISE SPECIFIED: | | | | | |
| | | DIMENSIONS ARE IN INCHES | | DRAWN | | NAME | |
| | | TOLERANCES: | | CHECKED | | DATE | |
| | | FRACTIONAL ±1/32 | | ENG APPR. | | | |
| | | ANGULAR: MACH ±.5° BEND ±1° | | MFG APPR. | | | |
| | | TWO PLACE DECIMAL ±.03 | | Q.A. | | | |
| | | THREE PLACE DECIMAL ±.005 | | COMMENTS: | | | |
| | | INTERPRET GEOMETRIC TOLERANCING PER: | | | | | |
| | | MATERIAL | | | | | |
| | | FINISH | | | | | |
| NEXT ASSY | USED ON | | | | | | |
| APPLICATION | | DO NOT SCALE DRAWING | | | | | |
| | | | | 23011 MOULTON PARKWAY, SUITE J2 LAGUNA HILLS, CA 92653 949-588-0581 | | | |
| | | | | TITLE: USS34T20XX-8S | | | |
| SIZE B | | DWG. NO. | | REV | | | |
| SCALE: 1:1.5 | | | | WEIGHT: | | SHEET 1 OF 1 | |

8 7 6 5 4 3 2 1