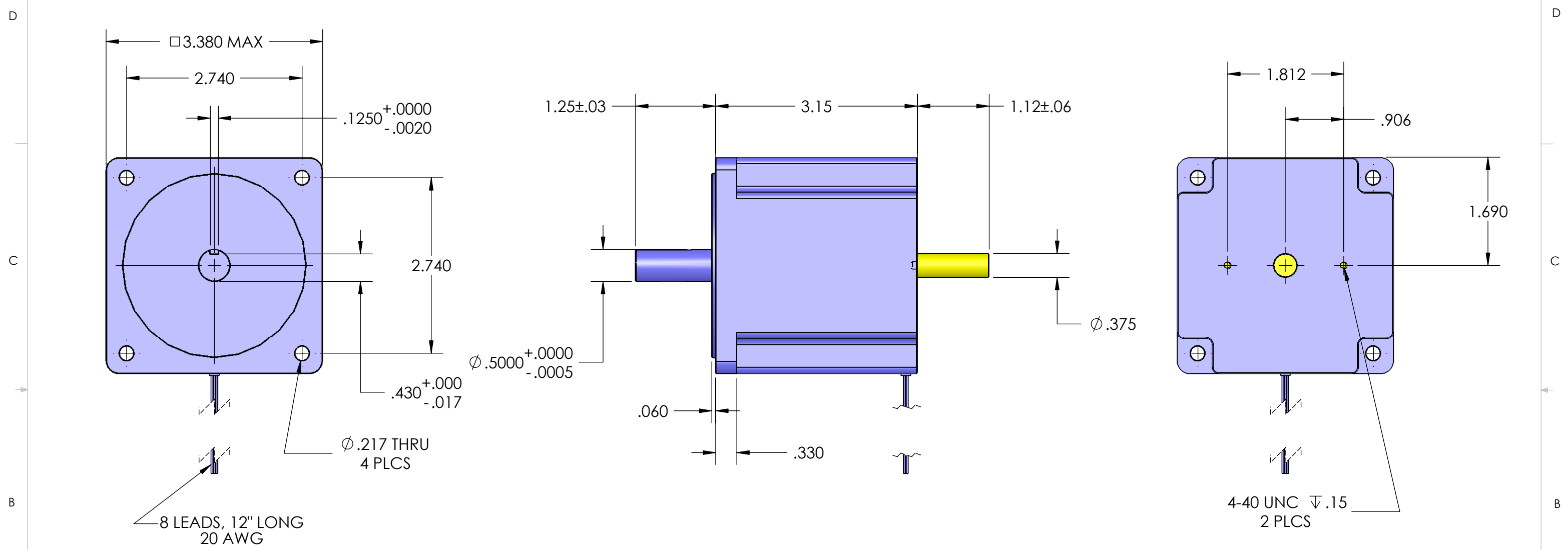


8 7 6 5 4 3 2 1



B

A

**PROPRIETARY AND CONFIDENTIAL**  
THE INFORMATION CONTAINED IN THIS DRAWING IS THE SOLE PROPERTY OF USAUTOMATION ANY REPRODUCTION IN PART OR AS A WHOLE WITHOUT THE WRITTEN PERMISSION OF USAUTOMATION IS PROHIBITED.

		UNLESS OTHERWISE SPECIFIED:		NAME	DATE
		DIMENSIONS ARE IN INCHES	DRAWN		
		TOLERANCES:	CHECKED		
		FRACTIONAL ±1/32	ENG APPR.		
		ANGULAR: MACH ±.5° BEND ±1°	MFG APPR.		
		TWO PLACE DECIMAL ±.03	Q.A.		
		THREE PLACE DECIMAL ±.005	COMMENTS:		
		INTERPRET GEOMETRIC TOLERANCING PER:			
		MATERIAL			
		FINISH			
NEXT ASSY	USED ON				
APPLICATION		DO NOT SCALE DRAWING			

**USAutomation**  
Solutions in Linear Motion

23011 MOULTON PARKWAY, SUITE J2  
LAGUNA HILLS, CA 92653  
949-588-0581

TITLE: **USS34T21XX-8D**

SIZE **B** DWG. NO. REV

SCALE: 1:1.5 WEIGHT: SHEET 1 OF 1

8 7 6 5 4 3 2 1