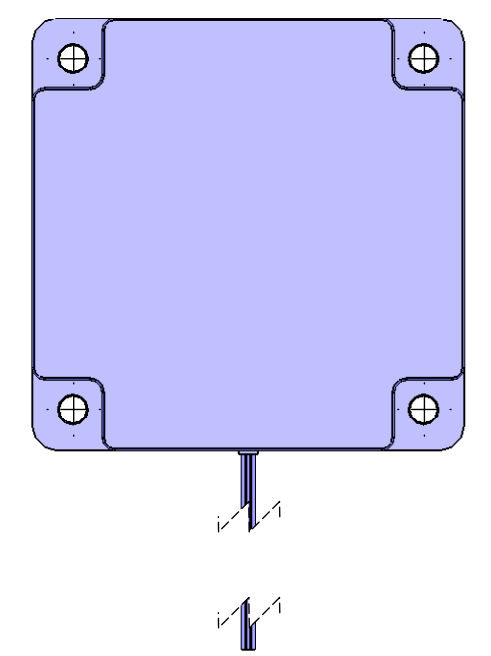
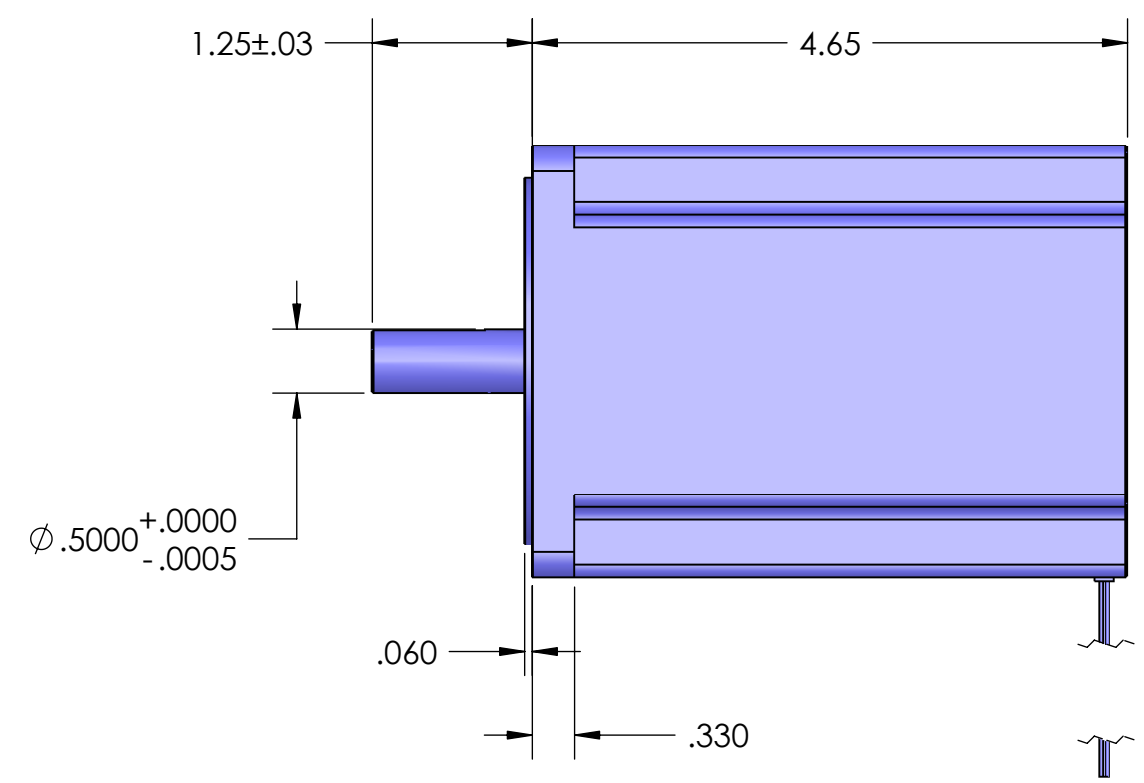
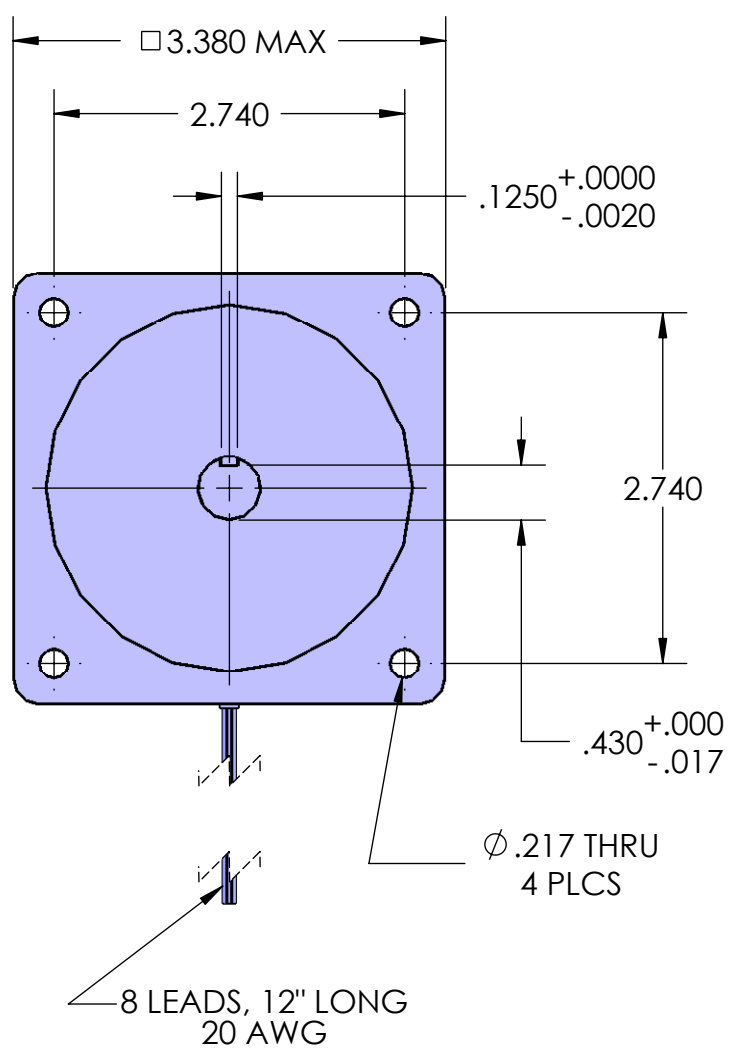


8 7 6 5 4 3 2 1

D
C
B
A



D
C
B
A

PROPRIETARY AND CONFIDENTIAL
THE INFORMATION CONTAINED IN THIS DRAWING IS THE SOLE PROPERTY OF USAUTOMATION ANY REPRODUCTION IN PART OR AS A WHOLE WITHOUT THE WRITTEN PERMISSION OF USAUTOMATION IS PROHIBITED.

		UNLESS OTHERWISE SPECIFIED:		NAME		DATE	
		DIMENSIONS ARE IN INCHES		DRAWN			
		TOLERANCES:		CHECKED			
		FRACTIONAL ± 1/32		ENG APPR.			
		ANGULAR: MACH ± .5° BEND ± 1°		MFG APPR.			
		TWO PLACE DECIMAL ± .03		Q.A.			
		THREE PLACE DECIMAL ± .005		COMMENTS:			
		INTERPRET GEOMETRIC TOLERANCING PER:					
		MATERIAL					
		FINISH					
NEXT ASSY	USED ON						
APPLICATION		DO NOT SCALE DRAWING					
				23011 MOULTON PARKWAY, SUITE J2 LAGUNA HILLS, CA 92653 949-588-0581			
				TITLE: USS34T22XX-8S			
SIZE B		DWG. NO.				REV	
				SCALE: 1:1.5		WEIGHT:	
				SHEET 1 OF 1			

8 7 6 5 4 3 2 1