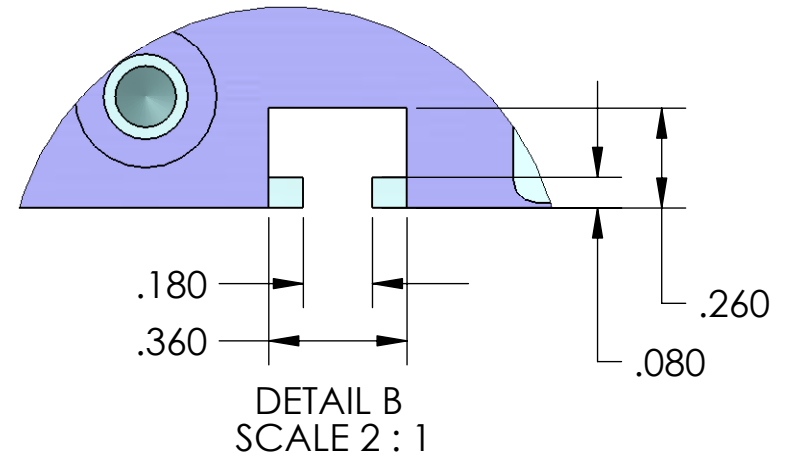
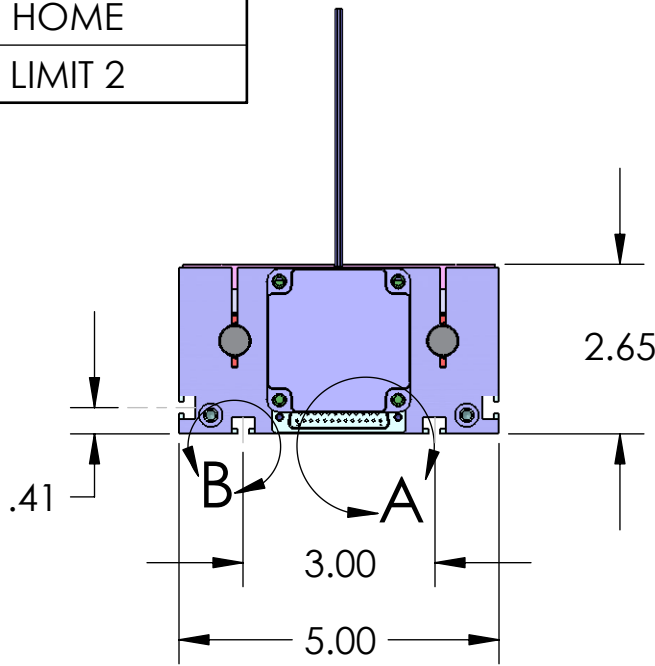


PIN	FUNCTION
1	V+ (5-24 VDC)
2	GND
3	LIMIT 1
4	HOME
5	LIMIT 2

DETAIL A
SCALE 2:1



DETAIL B
SCALE 2:1

PROPRIETARY AND CONFIDENTIAL
 THE INFORMATION CONTAINED IN THIS DRAWING IS THE SOLE PROPERTY OF USAUTOMATION ANY REPRODUCTION IN PART OR AS A WHOLE WITHOUT THE WRITTEN PERMISSION OF USAUTOMATION IS PROHIBITED.

UNLESS OTHERWISE SPECIFIED:		NAME	DATE
DIMENSIONS ARE IN INCHES		DRAWN	
TOLERANCES:		CHECKED	
FRACTIONAL ± 1/32		ENG APPR.	
ANGULAR: MACH ± .5° BEND ± 1°		MFG APPR.	
TWO PLACE DECIMAL ± .03		Q.A.	
THREE PLACE DECIMAL ± .005		COMMENTS:	BREAK ALL EDGES 0.025 MAX
INTERPRET GEOMETRIC TOLERANCING PER:			
MATERIAL			
FINISH			
NEXT ASSY	USED ON		
APPLICATION		DO NOT SCALE DRAWING	

 Solutions in Linear Motion 23011 MOULTON PARKWAY, SUITE J2 LAGUNA HILLS, CA 92653 949-588-0581		
TITLE: UST80XXZ-12-S-1		
SIZE B	DWG. NO.	REV
SCALE: 1:3	WEIGHT:	SHEET 1 OF 1