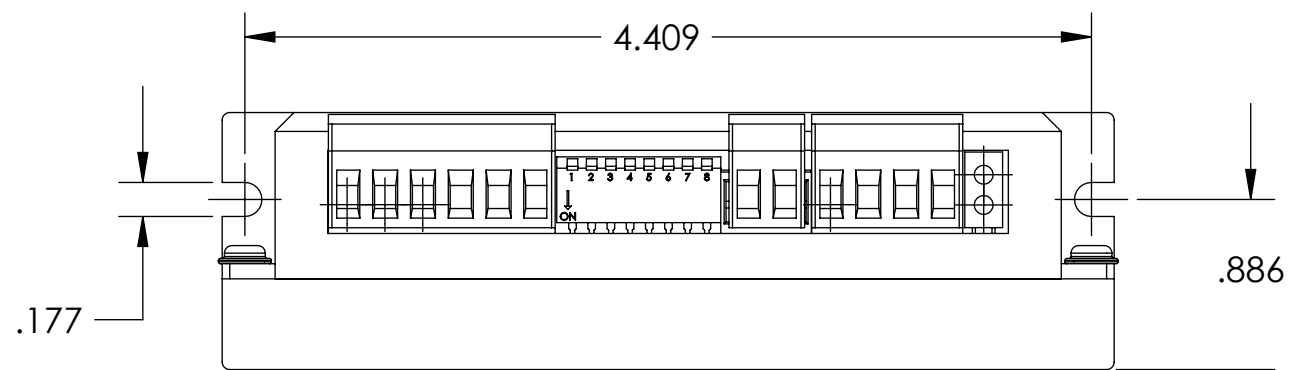
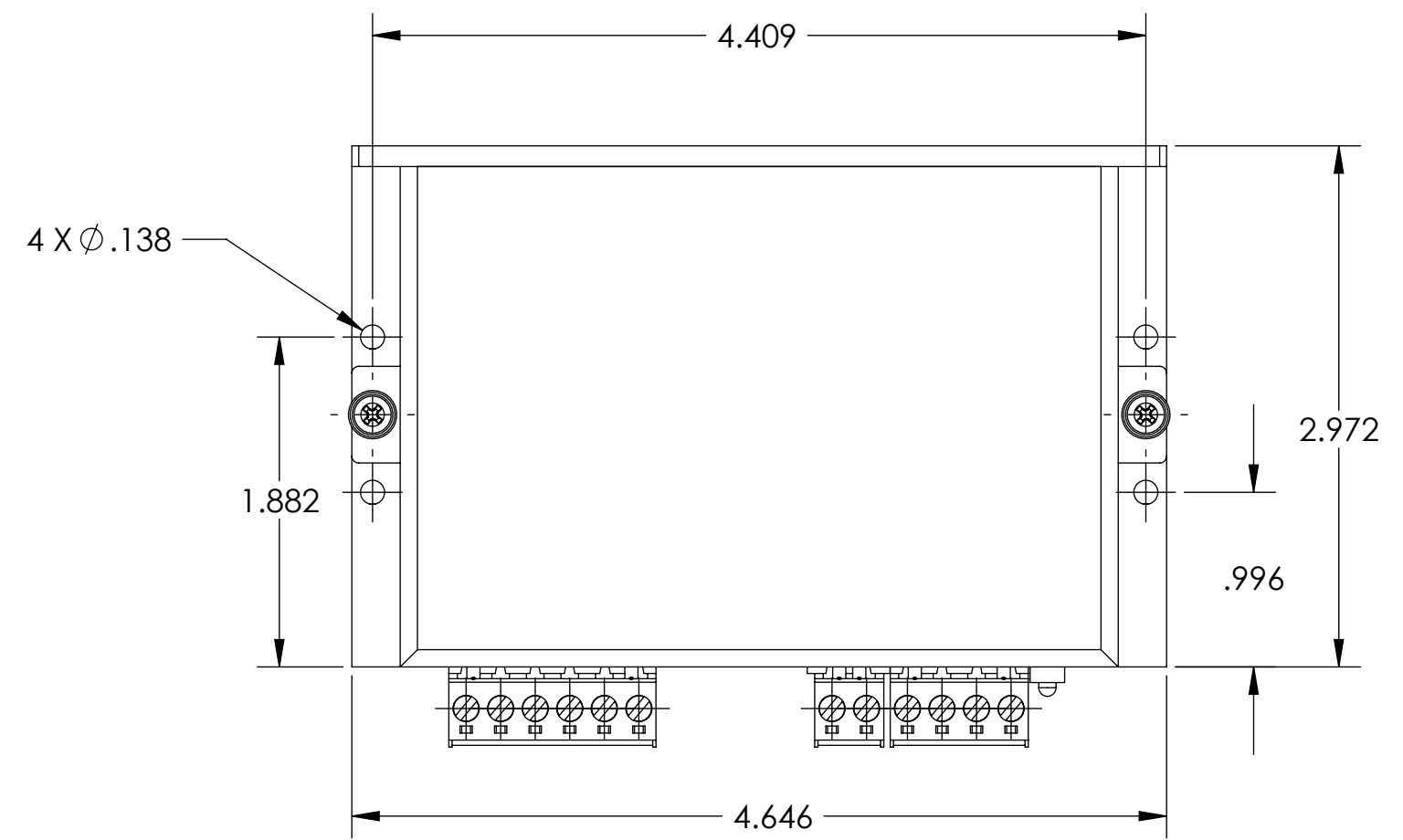
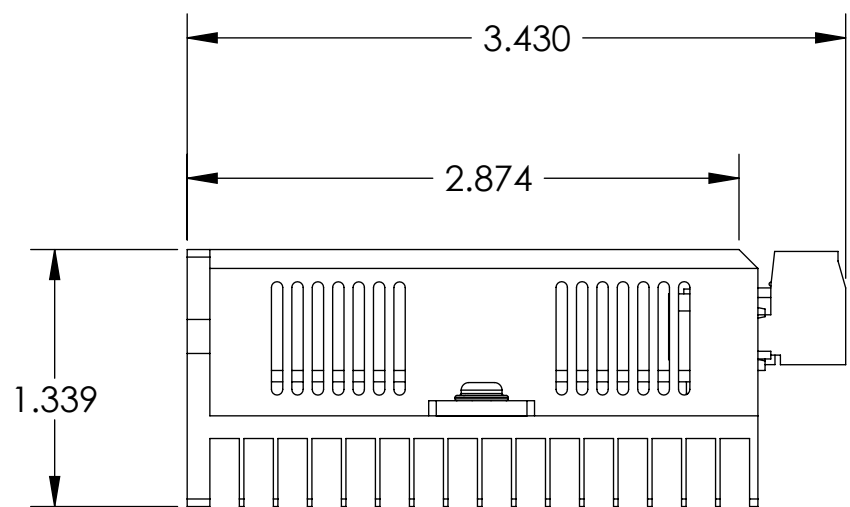



8 7 6 5 4 3 2 1

D  
C  
B  
A



**PROPRIETARY AND CONFIDENTIAL**  
 THE INFORMATION CONTAINED IN THIS DRAWING IS THE SOLE PROPERTY OF USAUTOMATION ANY REPRODUCTION IN PART OR AS A WHOLE WITHOUT THE WRITTEN PERMISSION OF USAUTOMATION IS PROHIBITED.

		UNLESS OTHERWISE SPECIFIED:		NAME	DATE
		DIMENSIONS ARE IN INCHES		DRAWN	
		TOLERANCES:		CHECKED	
		FRACTIONAL ±1/32		ENG APPR.	
		ANGULAR: MACH ±.5° BEND ±1°		MFG APPR.	
		TWO PLACE DECIMAL ±.03		Q.A.	
		THREE PLACE DECIMAL ±.005		COMMENTS:	
		INTERPRET GEOMETRIC TOLERANCING PER:			
		MATERIAL			
NEXT ASSY	USED ON	FINISH			
APPLICATION		DO NOT SCALE DRAWING			



23011 MOULTON PARKWAY, SUITE J2  
 LAGUNA HILLS, CA 92653  
 PH: 949-588-0513 - FAX: 949-588-8761

TITLE: **USSD4250**

SIZE <b>B</b>	DWG. NO.	REV
---------------	----------	-----

SCALE: 1:1    WEIGHT:    SHEET 1 OF 1

8 7 6 5 4 3 2 1